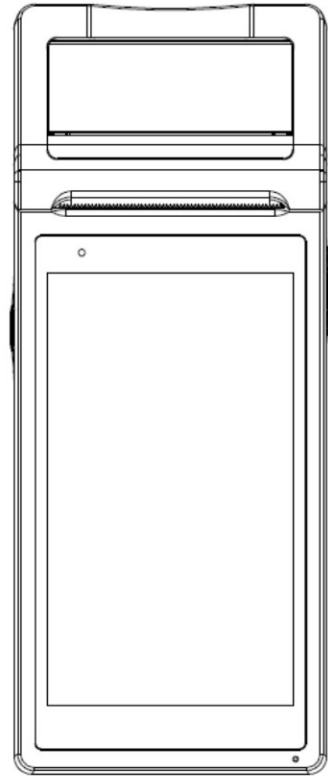
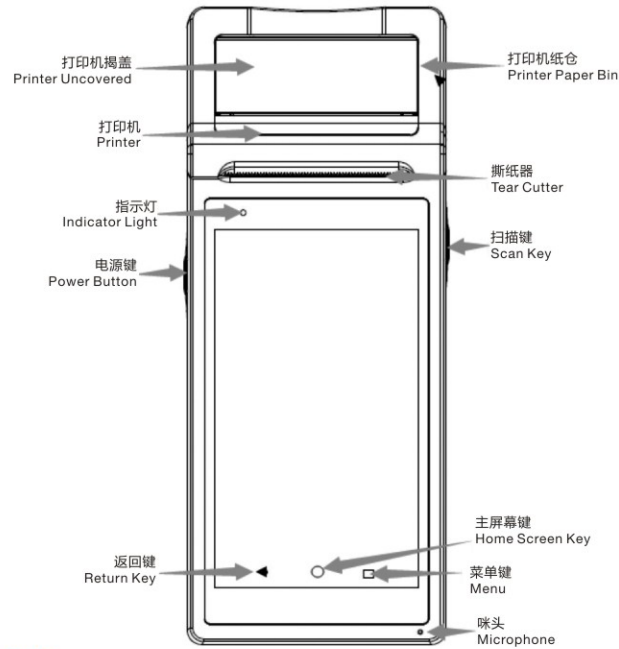


Quality + Zoetic = Success



Q1/Q2智能终端机用户手册 Q1/Q2 SMART POS User Manual



电源键:

短按: 点亮屏幕, 锁定屏幕

长按: 关机状态下, 长按3-5秒开机; 开机使用状态下, 长按3-5秒, 可选择关机或重启

死机或冗余状态下: 长按10秒以上, 自动关机重启。

扫描键: 做为红外条码扫描器的快速使用按键, 在合适的应用中, 直接使用条码扫描器

返回键: 点击跳回之前屏幕。

主屏幕键: 点击可快速跳回到主屏幕布

菜单键: 点击可快速查看正在运行的程序, 可以选择或关闭程序或是应用

Power Button

Short Press: Turn-on Screen / Turn-off & Lock Screen

Hold Down: Hold down the power button 3-5 seconds to Power on the Q1/Q2 / Shut down or Restart the Q1/Q2

Note: If the machine hanged or no response, please hold down the power button for 10 seconds to Restart.

Scan Button:

To work the 1D scanner which build-in at the rear of Q1/Q2.

Return Key:

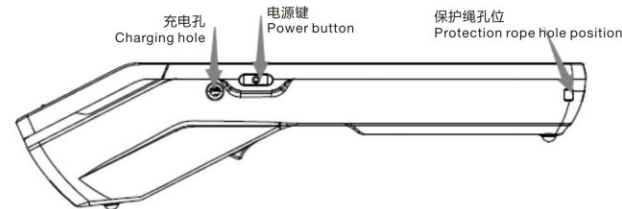
Return to previous operator interface.

Main Screen Key:

Hide all windows and show the main screen.

Menu Key:

Have a quick view and get list of the operating Apps. You can choose or close the Apps.



充电孔: 外径3.5mm内径: 1.35mm. 输入12V 1.0A进行设备充电。本设备只支持此孔充电, 不支持USB充电, 充电状态时屏幕会有相应图标提示, 如没有充电图标显示, 请检查充电器是否插好到位。此孔应防止进入液体或短路, 禁止插入非指定充电装置!

耳机孔: 可外接音响/接入个人刷卡器(需应用支持)

Charge Socket:

External diameter: 3.5mm,
Internal diameter: 1.35mm,
Input: 12V / 1.0A.

The Q1/Q2 supports power charge by this socket only, do not support charge by USB. When power charging, screen would show the battery charging logo. If you do not get this logo after you connect the power adapter, please check all connections carefully.

Warning: Charging by Non Specified power adapter is forbidden.

Phone Out:

This socket allows you to connect an earphone or external loudspeaker.



SIM卡: 支持MICRO卡插入, 网络支持3G/4G双网通。注意插入SIM时请确认设备处于关机状态下进行操作, 以免造成机器设备故障及不必要的损失!

摄像头: 500万像素定焦摄像头, 用于扫码支付及二维码的读取。一般距离为15CM左右为最佳状态。

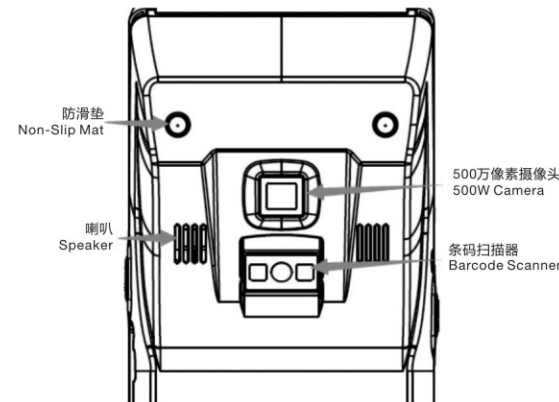
SIM Card Slot:

Supports Micro card, 4G / 3G network.

Warning: Please shut down the Q1/Q2 before insert SIM card, otherwise the card slot would be damaged.

Camera:

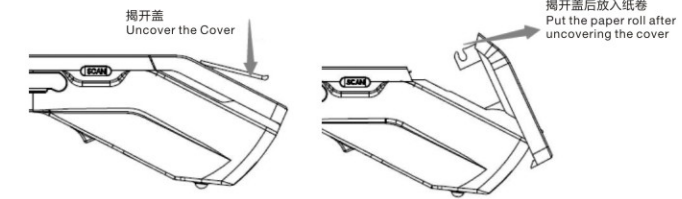
5,000,000 Pixel fixed focus camera. Supports mobile phone scavenging payment and 2D code scanned. 15CM is the best distance.



红外条码扫描器: 此装置为特有或是可选部件, 主要用于商品条码的扫描; 方便快捷, 货物盘点, 扫商品码销售等应用。需要软件应用接入。

CCD Scanner

This device is option & is able to scan 1D barcode. This device would be very convenient for courier, store cashier & stocktaking.



打印机: 本设备支持58MM的热敏打印纸, 规格为: 57*40 (纸卷直径) 单位mm 通过上方的开盖提手揭开打印机的纸仓盖, 按正确的方向, 放入适合规格的纸卷, 并将纸拉出部分纸至切纸器外, 盖好纸仓盖完成打印机装纸。

Receipt Printer

This is the 58mm high speed Thermal Receipt Printer, which supports label print. Paper diameter is 57 x 40 mm

To change paper, please open the paper cover, put in the thermal paper or thermal label, keeps a small part of paper out of the paper slot, and close the paper cover.

开机设置:

激活此设备, 只需几步; 依提示设置与手机设置相似

1, 4G/3G设置, 请在关机状态下, 在机器右侧中间处, 揭开橡胶保护盖, 插入相应的SIM卡后, 长按电源键3秒开机, 进入首次开机界面按提示操作激活本设备

2, WIFI设置: 进入“设置”菜单, 然后开启WLAN, 进入WLAN搜索界面, 选定可用的WLAN热点, 输入访问密码即可。

SETTINGS

The setting of Q1/Q2 is similar to our mobile phone

1.4G / 3G setting: Please shut down the machine first, open the cover at the right side, insert the Micro SIM card and close the cover. Turn on the Q1/Q2 and the O/S will recognize the SIM card directly.

2.WIFI setting: Enter the setting menu, turn on WLAN and get into the WLAN setting, choose the connection and input the password. After verification, the connection can be used.

常见故障排除:

打印机不工作: 确认纸仓盖是否正确关闭, 纸是否有通过压纸轮伸出到切纸器前, 检查纸品规格是否为57*40的规格 如果出纸正常, 打印出来的为白纸, 请检查纸卷是否放反方向

扫描器无法扫码: 请扫初始化设置

触摸屏点不准: 请进入“设置”在“显示”菜单下选择“触摸屏”进行校准

COMMON TROUBLE SHOOTING

1.Printer not working

Please ensure the paper cover is closed well & whether the paper has been stretched out through the paper cutter.

If paper feed normally but print nothing, please check whether the paper put in the opposite directions.

2.Scanner work abnormally

Please initialize the setting by scan the initialize barcode.

3.Touch incorrecly

Enter the setting menu, choose “Display” submenu and calibrate the touch in “Touch Screen” section.

产品技术参数 TECHNICAL SPEC

项目 ITEM	技术参数 SPEC
操作系统 O/S	Android 6.0 Android 6.0
CPU 主频 CPU	Q1 4核Cortex A53 1.25G Hz 处理器 / Q2 4核MTK80 1.3GHz处理器 Q1 4 Core Cortex A53 1.25G Hz / Q2 4 Core MTK80 1.3GHz
内存 RAM	1GB / 2GB(可选) 1GB / 2GB (Option)
FLASH Flash	4GB Nand Flash/ 8GB (可选) 4GB Nand Flash/ 8GB (Option)
显示屏 Display	5.5英寸, 分辨率1280 x 720 5.5" HD Screen, Highest Resolution 1280 x 720
触摸屏 Touch	电容式多点触摸屏 G+F Capacitive Multi-Touch
摄像头 Camera	500万像素 定焦 5,000,000 Fixed Focus
条码扫描器 Scanner	一维红光条码扫描器(可选) 1D CCD Scanner (Option)
网络频段 Network	GSM900/1800 WCDMA2100 TD-SCDMA:B34 B39/ FDD-LTE:B1 B3 / TDD-LTE:B38 B39 B40 B41
蓝牙 Bluetooth	支持蓝牙4.0 Bluetooth 4.0
WIFI WIFI	内置WIFI 802.11 b.g.n WIFI 802.11 b.g.n
喇叭 Speaker	单声道1W (可调音量) 音量高达95分贝 1W Single Channel
咪头 Microphone	MIC语音输入 MIC Input
按键 Button	电源键, 扫描键 Power button, Scan Button
接口 I/O	充电孔, USB调试口, SIM卡, 耳机孔 Charging Socket, USB, SIM Slot
电池 Battery	内置7.4V/5200mAh 7.4V / 5000mAh
打印宽度 Printer	58mm 58mm Thermal Receipt Printer
打印方式/速度 Printing Speed	行式打印 / 50mm/S Printing Speed 50mm/S,
打印头寿命 Work Life	50Km Work Life 50 Km
纸卷直径 Paper Roll	最大直径 42mm Max Diameter 42mm
充电器规格 Power Adapter	输入: 交流100-240V/1.5A 50/60Hz 输出: 直流12V 1A Input: 100-240V/1.5A 50/60HzOutput: 12V 1A
外形尺寸 Dimension	长209.2mm*宽87.4mm*高51.7mm 209.2mm (L) x 87.4mm (W) x 51.7mm (H)

注册事项

WARNING

安全警告及建议

请将充电器交流电插头插入与标识输入相对应的交流插座中, 严禁在存有任何爆炸性气体的场所使用, 非专业人员不要打开本设备及相关附件及充电器, 以免发生损坏或危险, 本产品在使用中可能会造成无线电干扰, 请用户及时对于干扰采取切实可行的措施, 请不要在医疗设备附近使用。

避免在雷雨天安装使用, 否则有被雷电电击的危险; 当您发现过热或烟雾, 闻到异常气味的情况下, 请立即断开电源。

在换纸时请注意撕纸器, 避免触碰到伤手;

使用时请套上安全保护绳, 防止机器失手跌落损坏。

In order to avoid damages or dangerous, Nonprofessional Personnel is not allowed to open the device, power adapter and related accessories. As this is the Wireless device, you are suggested not to use it nearby the medical devices.

When you found overheat, smoke or abnormal smell, please shut down the device immediately.

When charging paper, please pay attention to the serrated device to avoid hand scratched.

If possible, please put on a safety protection rope to prevent the machine from falling and damaged.

免责声明:

请以实物为准, 此文档的解释权归本公司, 保有预先通知的情况下, 修改本说明书的权利

DISCLAIMER

Please refer to the material object. The right of interpretation of this document is vested in our company. We reserve the right to amend this instruction without prior notice.

包装内容

PACKING CONTENTS

Q1/Q2主机 1台
Q1/Q2 x 1 Unit

用户指南一张 (产品保修卡, 产品合格证)
User Manual x 1

充电器 1个
Power Adapter x 1

产品保修卡

WARRANTY CARD

产品保修卡

产品名称: _____

产品型号: _____

产品编号: _____

购买日期: _____

保修期限: 自购买之日起, 我公司提供 _____ 天保修服务。

以下情况恕不提供免费保修:

- 未经允许擅自拆卸修理的产品。
- 产品条码、易碎贴破损以及保修卡涂改、残缺的。
- 未按照说明书的要求担任设备所引起的故障。
- 因进水或跌落而造成的故障的人为损坏。
- 因不可抗拒因素造成的故障或损坏。
- 保修期限外。

联系方式:

• 联系电话: _____

• 公司地址: _____

产品合格证

PRODUCT CERTIFICATION

合格证
Certificate

检验员: 01



经销商